

## EV-AR/AXC Flexible connections

### Flexible connector for axial fans

- Axial fan use
- Galvanised steel
- Neoprene lining
- Circular

[Find more details in our online catalogue.](#)



### Circular connector

EV is a circular flange connector that provides flexible connections for AR and AXC-type axial fans.

### Robust & Durable

The flexible connection consists of 2 counter flanges made of galvanised steel with flexible neoprene-coated fabric in between.

## Technical parameters

### Dimensions and weights

Weight

5.5 kg

## Dimension

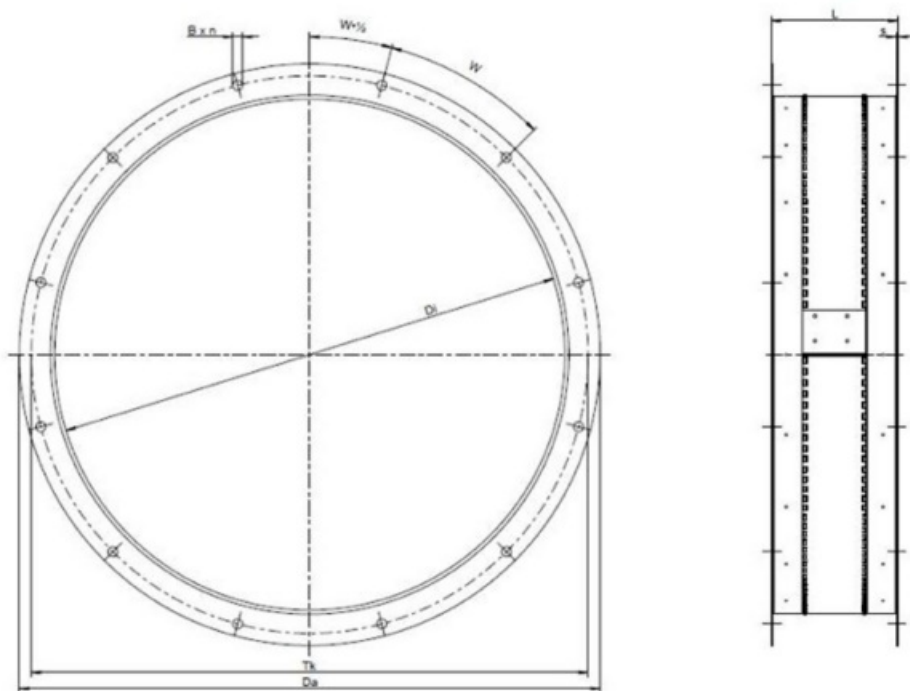


Image similar to the original.

	$\varnothing Da$	$\varnothing Di$	L	B x n	$\varnothing TK$	W
EV-AR/AXC 630	720	638	157	12 x $\varnothing 12$	690	30

## Documents

- [DECLARATION OF CONFORMITY EV-AR\\_AXC DE\\_EN.PDF](#)